

PRODUCT DOCUMENTATION

d line
ERUD HÖLSCHEK DESIGN

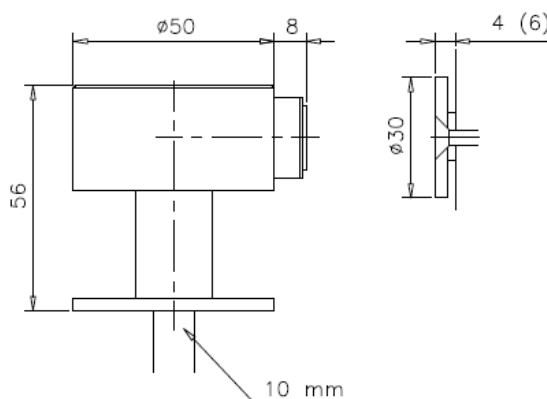
Product Name: Floor door stop $\varnothing 19 \times 56$ mm,
w/magnet

Article Number: 14.5075.02.009
Satin stainless steel
16.5075.01.005
Polished stainless steel

Photo:



Drawing:



Product Information:

Material: AISI 316 stainless steel
Surface finish: Satin 320 grain or polished
Height: 56 mm Width: 50 mm Depth: 56 mm

Product Specification:

d line floor door stop $\varnothing 19 \times 56$, w/magnet mm produced in AISI 316 satin or polished stainless steel.

d line products are always produced in the highest quality stainless steel AISI 316. d line is a simple and functional design, but the minimalistic exterior hides advanced technic that ensures the hardware's strength and durability for many years.

Certificate: EN 179, EN 1906
Warranty: 20 years (non-mechanical/-electronic parts)

Spare Parts/Accessories:

14.9745.00.141 Rubber buffer $\varnothing 50$ mm

Related Products:

14.5070.02.006 Floor door stop $\varnothing 14 \times 40$ mm

Mounting:

See instruction supplied with the product

Packing:

1 piece in a bag.

Maintenance:

Wash down with mild detergent, rinse off with clean water, and dry off with soft dry cloth. Please do not use scouring powders, steel wool or aggressive cleaning products as these may damage the surface. If spots appear on the surface it is not due to the stainless steel, but to impurities in the environment or the use of aggressive cleaning agents.

Environment:

No environmental risk and no risk of fire.